

## Frozen Frozen granita dispenser with 2 bowls, electronic control

ITEM # \_\_\_\_\_

MODEL # \_\_\_\_\_

NAME # \_\_\_\_\_

SIS # \_\_\_\_\_

AIA # \_\_\_\_\_


**562510 (IPRO2ER290)**

 Frozen Granita Dispenser  
 with 2X11 l insulated bowls,  
 electronic control, R290

### Short Form Specification

**Item No.** \_\_\_\_\_

Frozen granita dispenser with 2 bowls; the ITANK™ Technology prevents ice accumulation on the outer side of the bowl and the bowl shape allows a natural mixing action to ensure an optimum consistency of the product. Customizable lid merchandiser and back graphic. Electronic control system and touch screen keypad. Sliding drip tray.

### Main Features

- Ideal for the production of slush.
- The ITANK™ Technology prevents ice accumulation on the outer side of the bowl, reducing condensation and increasing the cooling power of the machine.
- Bowl shape allows a natural mixing action to ensure an optimum consistency of the product.
- Customizable lid merchandiser and back graphic.
- Daily and weekly machine programming functionality.
- The insulated tank guarantees higher cooling efficiency and lower effect of the external temperature on product's preparation and maintenance time reducing condense and draining; it is the best solution in hot climate conditions.

### Construction

- Electronic control system and touch screen keypad.
- Sliding drip tray.

### Sustainability



- When the product reaches the right consistency, an automatic stand-by mode activates in order to save energy and reduce CO2 emissions.

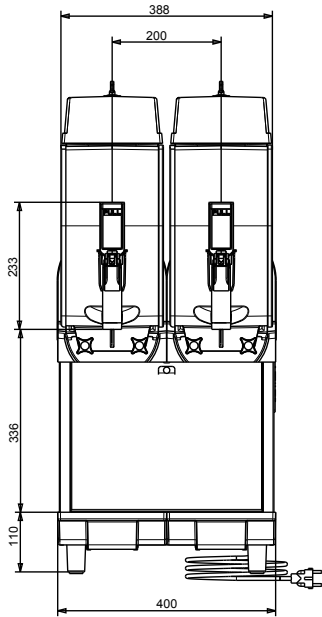
**APPROVAL:** \_\_\_\_\_



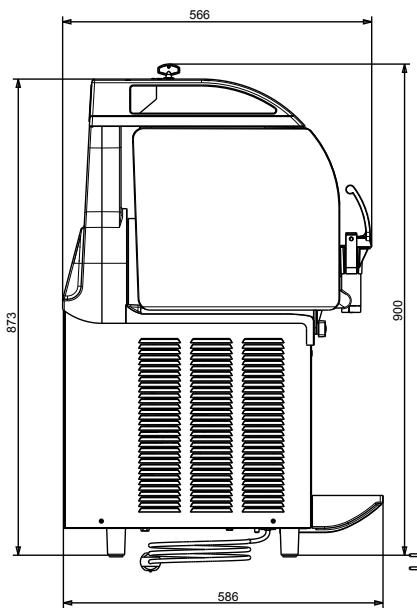
**Electrolux**  
PROFESSIONAL

# Frozen Frozen granita dispenser with 2 bowls, electronic control

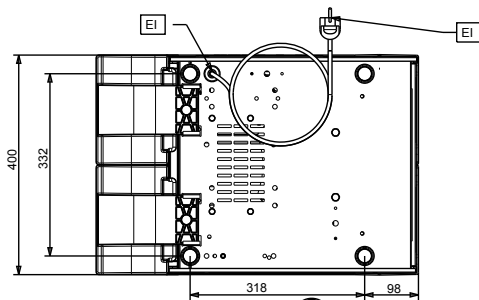
Front



Side



Top



Frozen  
Frozen granita dispenser with 2 bowls, electronic control

The company reserves the right to make modifications to the products without prior notice. All information correct at time of printing.

2026.04.21



**Electrolux**  
PROFESSIONAL

## Frozen Frozen granita dispenser with 2 bowls, electronic control

### Electric

Supply voltage: 220-240 V/1 ph/50 Hz  
Electrical power, max: 0.74 kW

### Key Information:

Net weight: 60 kg

### Sustainability

Refrigerant type: R290  
Refrigerant weight (unit 1): 106 g



Frozen  
Frozen granita dispenser with 2 bowls, electronic control  
The company reserves the right to make modifications to the products  
without prior notice. All information correct at time of printing.

2026.04.21